

X-COLD



PATENTED DESIGN · INTELLIGENT TECH
EXTREME HEAT PROTECTION
SOLID STATE COOLING TECHNOLOGY

SIMPLY THE WORLD'S MOST INNOVATIVE CAMERA ENCLOSURE SYSTEM

ENGINEERED FOR EXTREME HEAT CONDITIONS

- ▶ Built To Withstand Extreme Heat (Up to 160° F / 71° C)
- ▶ Redundant Peltier-Based Thermoelectric Cooling
- ▶ Non-Thermally-Conductive Polycarbonate Housing
- ▶ F12 Open Cell Silicone Foam Insulation Provides Radiant Heat Shielding
- ▶ Dual/Redundant Circulation Fans Eliminate Hot Spots

COMPREHENSIVE AND CUSTOMIZABLE

- ▶ Integrated Network Switch With Four PoE+ Ports
- ▶ Remotely Controllable Accessory Power Ports - [2] - 12VDC, [2] - 24VDC
- ▶ Integrate NVRs, Encoders, Routers And More With Built-In Accessory Rails
- ▶ Extended Volume (EV) Option Adds 520in³ Of Integration-Ready Space

REMOTELY MONITOR AND CONTROL

- ▶ Remotely Monitor And Control The Enclosure Via The Web Or API
- ▶ Power On/Off - 12VDC, 24VDC, And PoE+ Ports
- ▶ Monitor Internal And External Temperatures And Power Loads

ECONOMICAL, PRACTICAL, SMART

- ▶ Painless Installation With Standard Wall Mount Bracket Or Pole Mount Adapter*
- ▶ Nearly Indestructible Polycarbonate Construction - No Rust Or Corrosion
- ▶ Efficient Solid State Cooling With 140 Watt Typical Power Load
- ▶ Keeps Integrated Components Within Operating Temperatures In Extreme Heat

INTEGRATE VIRTUALLY ANY CAMERA

- ▶ Compatible With Any Camera With A Pan/Tilt Head Under A 7.25" Diameter
- ▶ 30 Watt PoE+, 12VDC And 24VDC Web Enabled Accessory Power Ports



THE TEMPERATURE STABILIZING DIFFERENCE
SELF-COOLING CAMERA ENCLOSURE



SONY

Canon

Panasonic

SAMSUNG

BOSCH

4VOOPTICS



HARDWARE
DURABLE. ROBUST.
CONVENIENT.

X/COLD ENCLOSURE

Nearly Indestructible Polycarbonate Enclosure - Protect Your Camera And Integrated Components

X|SMART SYSTEM TRAY

- ▶ Versatile Power Options, Integrated Networking, Climate Control And Remote Control Via Web Interface

INTEGRATED HEAT

- ▶ 10 Watt Integrated Heat - Warms Enclosure (Optional 30W Upgrade)
- ▶ Keeps Components Within Operating Temperatures
- ▶ Combats Moisture and Condensation

RADIANT HEAT SHIELDING

- ▶ Open Cell Silicone Foam Insulation

INTUITIVE INTEGRATION

- ▶ Easily Integrate NVRs, Routers, Encoders And Other Peripherals
- ▶ Accessory Mounting Rails For Easy Installation

EXTENDED VOLUME LOWER TRAY

- ▶ X|Cold-EV Model
- ▶ Provides An Additional 520³ Inches Of Integration-Ready Space

POLYCARBONATE MATERIAL

- ▶ Non-Thermally Conductive
- ▶ Durable, Protective Construction Will Not Rust Or Corrode

VERSATILE CAMERA INTEGRATION

- ▶ Any Camera With A P/T Head Diameter Under 7.25"
- ▶ Included Hex Standoffs For Easy Height Adjustment
- ▶ Integrated Power Options: PoE+, 12VDC or 24VDC

REDUNDANT COOLING MODULES

- ▶ Dual Thermoelectric Cooling Assemblies Cool The Interior Without Exposing Electronics To Outside Air

EXTERNAL POWER SUPPLY

- ▶ 90-240VAC Input Protected By An Integrated Rain Shield

SURGE AND EMI PROTECTION

- ▶ Protection Against Voltage Spikes And Electromagnetic Interference

STAINLESS STEEL LATCHES

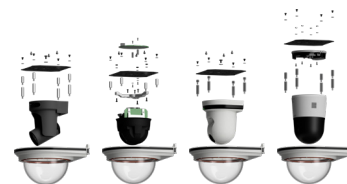
- ▶ Secure The Enclosure While Resisting Rust And Corrosion
- ▶ Safeguard Your Equipment With A Padlock (Optional)

INTELLIGENT CABLE INGRESS

- ▶ Reduces Risk of Water Intrusion With Cable Entry From Below

VERTICAL HINGE

- ▶ No-Fuss Access To Enclosure Interior

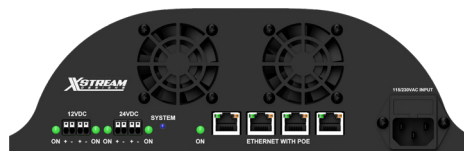


INTUITIVE SYSTEM MOUNTING



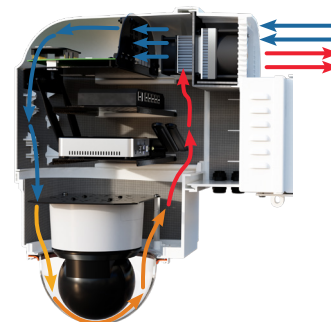
- ▶ Integrated External Power Supply Chassis Mounts Either To The Wall Or Pole Mount Bracket (With Integrated Leveling Plate)
- ▶ Slide The Enclosure Onto The Bracket And Secure With A Padlock
- ▶ Stylish White Powder Coated Aluminum And Stainless Steel Hardware Resists Rust

X|SMART SYSTEM TRAY



- ▶ Dual Circulation Fans Provide Redundant Circulation of Cooled Air, Eliminating Hot Spots
- ▶ Remotely Controlled Power Inputs: [2] 24 VDC Power Ports, [2] 12VDC Power Ports, [4] 30 Watt PoE+ Ethernet Ports
- ▶ Integrated Networking: 4 Port 10/100Mbps Ethernet Switch

SUPERIOR AIR CIRCULATION



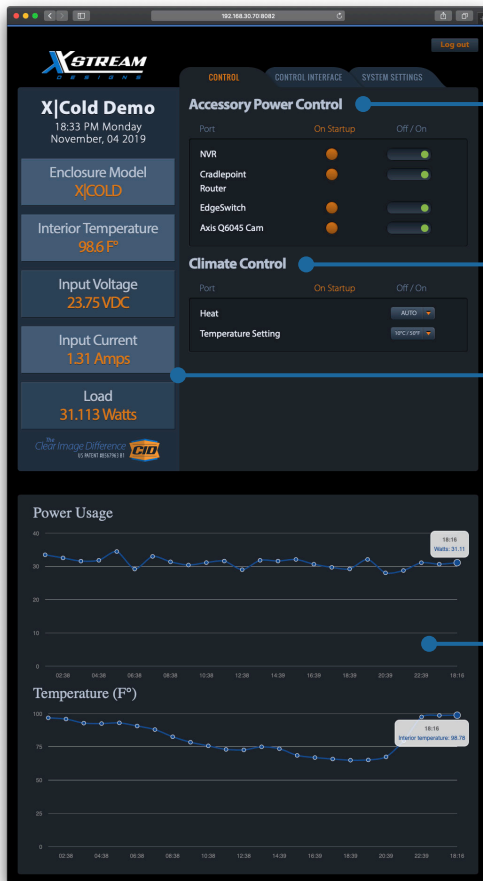
- ▶ Redundant 6,000 RPM 9.9 CFM Circulation Fans Push And Pull Air Throughout The Entire Enclosure System
- ▶ Protects Equipment By Eliminating Hot Spots

USER INTERFACE

**SIMPLE. INTUITIVE.
ACCESSIBLE.**

MONITOR AND CONTROL FROM ANYWHERE

Intuitively Designed For The End User - Remotely Control With The Click Of A Mouse



AUXILIARY POWER CONTROLS

- ▶ 30 Watt PoE+, 12VDC And 24VDC
- ▶ Set Connected Devices To Power On Startup
- ▶ Manually Power Devices On Or Off

CLIMATE CONTROLS

- ▶ Control The Internal Heat Settings

AT-A-GLANCE INFORMATION

- ▶ See The Enclosure's Local Date And Time
- ▶ Review Power Status Of X|Accessories
- ▶ Check Internal Temperature (Standard)
- ▶ Check External Temperature With Optional X|EXT-TEMP Accessory
- ▶ Review Current Power Input And Load

POWER AND TEMPERATURE GRAPHS

- ▶ See Power Usage And Temperature Over Time

TAILOR YOUR CONTROL PANEL DISPLAY • CONFIGURE NETWORK AND POWER SETTINGS • REBOOT AND POWER CYCLE REMOTELY

- ▶ Name Your Enclosure
- ▶ Choose Which Information Is Displayed Based On Your Needs
- ▶ Name Your Peripherals And Set Start-Up Power Options
- ▶ Integrate The Camera Stream Directly Into The Web Interface
- ▶ Customize Time, Date and Temperature Settings
- ▶ Configure Network Settings

The 'Display' panel allows users to customize the information shown on the control interface. It includes a table with columns for 'Item' and 'Display'. Items include Enclosure Model, Exterior Temperature, Interior Temperature, Input Voltage, Input Current, Load / Watts, Power Graph, and Temperature Graph. Each item has a checkmark in the 'Display' column. There are also radio buttons for 'C°', 'F°', and 'BOTH' for temperature units, and a 'FAVORITE' dropdown menu.

The 'Accessory Power Ports' panel allows users to configure power settings for various accessories. It features a table with columns for 'Port', 'Custom Name', 'Display', and 'On Startup'. Ports listed include 12VDC_1, 12VDC_2, 24VDC_1, 24VDC_2, and POE. Each port has a custom name, a checkmark in the 'Display' column, and a status indicator in the 'On Startup' column.

The 'Live Stream Player' panel allows users to configure the live stream player. It includes fields for 'HOST/IP', 'PORT', 'APPLICATION', and 'STREAM NAME'. There are also checkboxes for 'AUTO PLAY ON PAGE LOAD' and 'MUTE AUDIO', each with 'YES' and 'NO' options.

The 'Network Settings' panel allows users to configure network parameters. It includes a 'Use DHCP' toggle (set to YES), and fields for 'IP ADDRESS', 'SUBNET MASK', 'GATEWAY', 'DNS 1', 'DNS 2', and 'HTTP PORT'. Each field has a 'Value' column.

The 'System' panel allows users to manage system settings. It includes fields for 'FIRMWARE VERSION' (XSmart-v1.7.8), a 'REBOOT SYSTEM' button, and a 'SHUT DOWN XSMART SYSTEM' button with a 'Shut down' option.

- ▶ Review Power Usage and Temperature Graphs
- ▶ Adjust Log In Credentials And Authentication Requirements
- ▶ Reboot Or Shut Down The Enclosure System
- ▶ Update System Firmware
- ▶ All X|Accessories Are Seamlessly And Automatically Integrated Into The Web Interface

SPECIFICATIONS

SHIPPING DIMENSIONS / WEIGHT

- › X|COLD: 19"L x 15"W x 22" H - 26lbs
- › X|COLD-EV: 22"L x 16"W x 26"H - 29lbs

INPUT SOURCE POWER

- › 120/240VAC Input Power

POWER CONSUMPTION

- › 20 Watts With Typical PTZ Camera (Cooling Off)
- › 150 Watts With Typical PTZ Camera (Cooling On)
- › 470 Watts Maximum Available Power

REMOTELY CONTROLLED AUX POWER PORTS

- › [2] - 12VDC Ports
- › [2] - 24VDC Ports
- › [4] - IEEE 802.3at 30Watt PoE+ 10/100Mbps Ethernet Port

ENCLOSURE OPERATING TEMPERATURES

- › -40° to 160° F (-40° to 71° C)
Operating Temperatures Of Integrated Cameras And Components May Vary

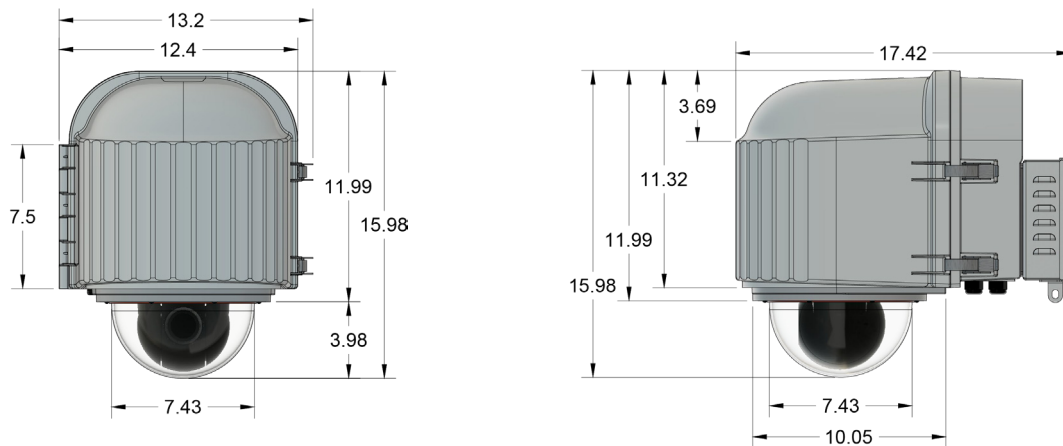
ENCLOSURE MOUNTING

- › Wall Mount Bracket (Standard)
- › Pole Mount Bracket with Leveling Plate *Optional*

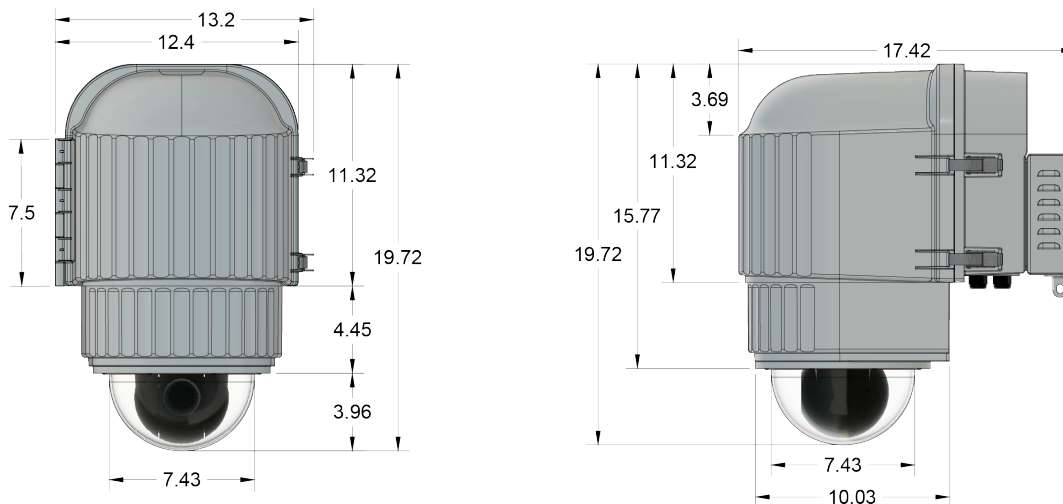
USER INTERFACE REQUIREMENTS

- › Network Connection Required
- › Compatible With All Modern Browsers
Internet Explorer Not Recommended
- › Full API Documentation

DIMENSIONS - X|COLD (STANDARD)



DIMENSIONS - X|COLD-EV (EXTENDED VOLUME VERSION)



UPGRADES / ACCESSORIES / OPTIONS

- › X|30WH - 30 Watts Internal Heat
- › X|PMB - Pole Mount Adapter with Leveling Plate
- › X|EXT-TEMP - External Temperature Probe
- › X|HALF-SHELF - Accessory Shelf
- › X|HIGH-CFM - High CFM Fans
- › X|NVR - i3, i5 or i7 Processor Option



sales@xstreamdesigns.com
xstreamdesigns.com
858.768.2992

US Patents US8567963B1 • USD744570S1

PROTECTIVE IN HARSH ENVIRONMENTS · COOL IN EXTREME HEAT